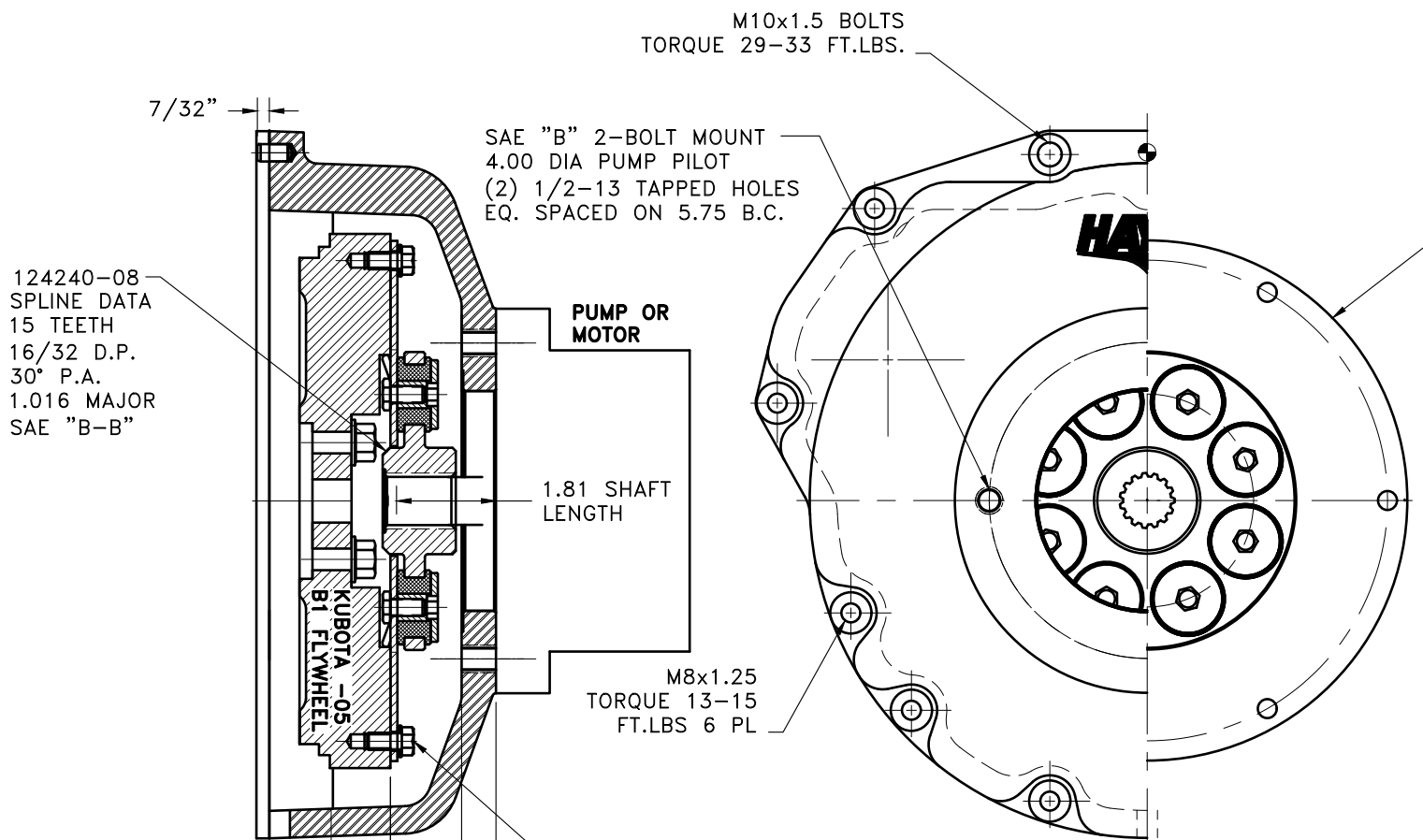


REV	DATE	CHANGE DESCRIPTION	MOD.BY	CK1	CK2



124240-08
SPLINE DATA
15 TEETH
16/32 D.P.
30° P.A.
1.016 MAJOR
SAE "B-B"

SAE "B" 2-BOLT MOUNT
4.00 DIA PUMP PILOT
(2) 1/2-13 TAPPED HOLES
EQ. SPACED ON 5.75 B.C.

PUMP OR
MOTOR

1.81 SHAFT
LENGTH

M8x1.25
TORQUE 13-15
FT.LBS 6 PL

M8x1.25 BOLTS TORQUE
20-25 FT.LBS.

124118-06
9.499 O.D.
(6) .344 HOLES
ON 8.750 B.C.

7/32"
7/32"
.24
(6mm)
3.50
2.20
(56mm)
2.44
(62mm)
4.13

NOTES:

1. HOUSING FOR KUBOTA ENGINES D-905, D1005-B, D1105-B, V1205-B, V1305-P, AND V1505-B
2. USE FURNISHED COUPLING GREASE ON BOTH MALE AND FEMALE SPLINE.

COUPLING ASS'Y
#130621

UP TO 75 HP

DET.	PART NUMBER	DESCRIPTION	QTY.
10	952111	BOLT KIT	1
9	PURCHASE	5/16 DIA x 1/2 DOWEL PIN	2
8	952055-02	HOUSING	1
7	801912	GREASE	1
6	HP-1125-S-32	HUBBARD PLUG	1
5	BOLT	5/16-24x5/8 HHB	6
4	123729-01	THREADED BUSHING	6
3	H70	NEOPRENE INSERT	6
2	124240-08	COUPLING HUB	1
1	124118-06	FLYWHEEL PLATE	1

SYMBOLS	DET.	PART NUMBER	DESCRIPTION	QTY.
<ul style="list-style-type: none"> — FLATNESS — STRAIGHTNESS — ANGULARITY — PERPENDICULARITY — PARALLELISM — CONCENTRICITY — TRUE POSITION — ROUNDNESS — CIRCULAR RUN OUT — TOTAL RUN OUT — CYLINDRICITY — FINISH 	DO NOT SCALE DRAWING			
	TOLERANCES UNLESS OTHERWISE SPECIFIED			
	1/32" MAXIMUM			
	ANGLE ±1/2°			
	FRACTION ±1/32			
	DECIMAL			
	.00 ±.01			
	.000 ±.005			
	.0000 ±.0005			
CLASS	MAKE: <input checked="" type="checkbox"/> BUY: <input type="checkbox"/>	DRAWN BY	DATE	DRAWING NO.
KUBOTA	JESSE	MIKE	10-01-2019	952623
DESCRIPTION	DESIGN LEAD	SCALE	SHEET	OF
KB05,15T16/32,B2,75	MIKE			REV.

HAYES
MANUFACTURING INC. ®

TITLE
KUBOTA -05 SERIES FLYWHEEL COUPLING ASS'Y

MATERIAL

THIS DRAWING IS THE PROPERTY OF HAYES MFG. INC. AND IS LOANED SUBJECT TO THE CONDITION THAT IT SHALL NOT BE REPRODUCED, COPIED, LOANED OR OTHERWISE DISPOSED OF, DIRECTLY OR INDIRECTLY. IT SHALL BE USED AS A MEANS OF REFERENCE TO WORK FURNISHED BY THIS COMPANY ONLY AND IS NOT TO BE SUBMITTED TO OUTSIDE PARTIES FOR EXAMINATION WITHOUT OUR CONSENT.