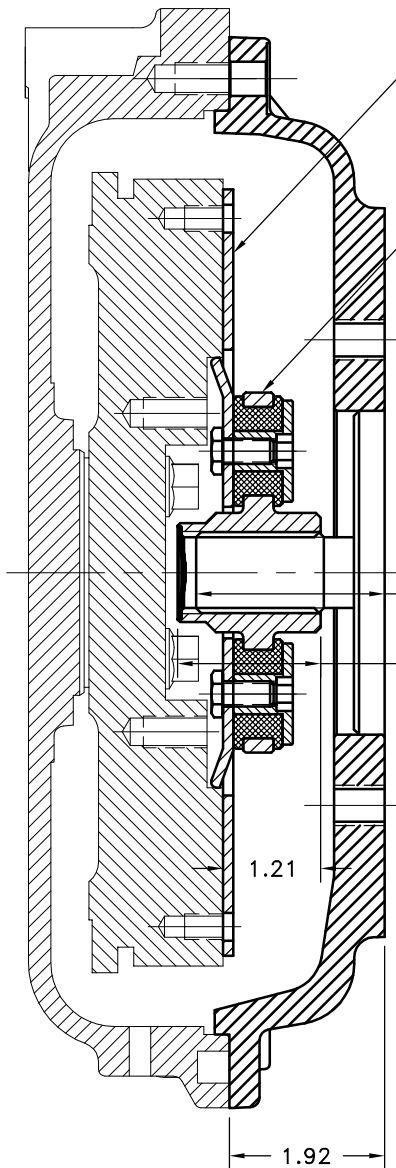


REV	DATE	CHANGE DESCRIPTION	MOD. BY	CK1	CK2



124118-02  
9.499 O.D.  
(6) .344 HOLES  
ON 8.750 B.C.

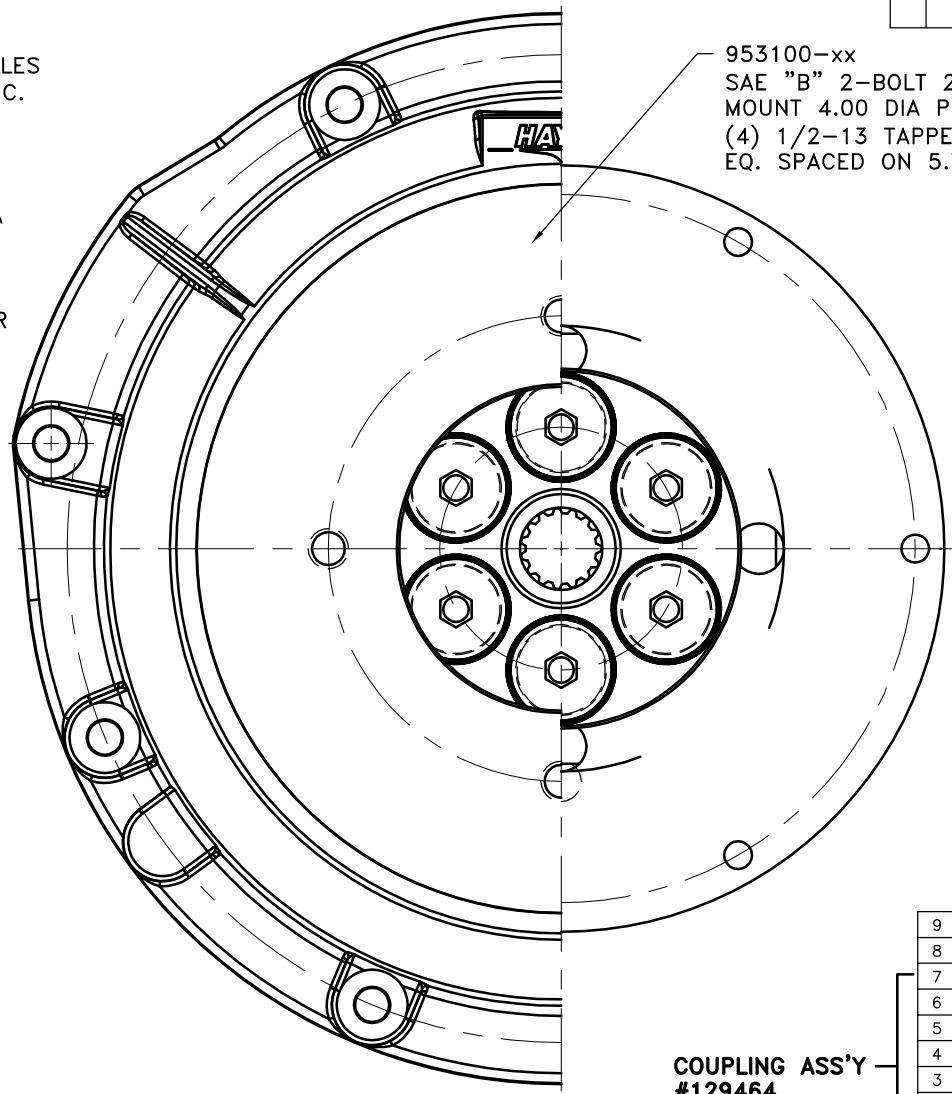
129465  
SPLINE DATA  
15 TEETH  
16/32 D.P.  
30° P.A.  
1.016 MAJOR  
SAE "B-B"

2.33 SHAFT  
LENGTH

1.77

1.21

1.92



953100-xx  
SAE "B" 2-BOLT 2-WAY  
MOUNT 4.00 DIA PUMP PILOT  
(4) 1/2-13 TAPPED HOLES  
EQ. SPACED ON 5.75 B.C.

**COUPLING ASS'Y  
#129464**

**UP TO 50 HP**

DET.	PART NUMBER	DESCRIPTION	QTY.
9	953103	BOLT KIT	1
8	953100-xx	HOUSING	1
7	801912	GREASE	1
6	HP-1125-S-32	HUBBARD PLUG	1
5	HX300	SPEC 5/16-24x5/8 HHB Y D	6
4	123729-01	THREADED BUSHING	6
3	H52500	NEOPRENE INSERT	6
2	129465	COUPLING HUB	1
1	124118-02	FLYWHEEL PLATE	1

**FITS KUBOTA O5 SERIES TIER 4 ENGINES  
FLYWHEEL: C-9  
HOUSING: D-1**

THIS DRAWING IS THE PROPERTY OF HAYES MFG. INC. AND IS LOANED SUBJECT TO THE CONDITION THAT IT SHALL NOT BE REPRODUCED, COPIED, LOANED OR OTHERWISE DISPOSED OF, DIRECTLY OR INDIRECTLY. IT SHALL BE USED AS A MEANS OF REFERENCE TO WORK FURNISHED BY THIS COMPANY ONLY AND IS NOT TO BE SUBMITTED TO OUTSIDE PARTIES FOR EXAMINATION WITHOUT OUR CONSENT.

SYMBOLS		DET.	PART NUMBER	DESCRIPTION	QTY.
	FLATNESS	DO NOT SCALE DRAWING			
	STRAIGHTNESS	TOLERANCES UNLESS OTHERWISE SPECIFIED			
	ANGULARITY	125 MAXIMUM			
	PERPENDICULARITY	ANGLE ±1/2°			
	PARALLELISM	FRACTION ±1/32			
	CONCENTRICITY	DECIMAL			
	TRUE POSITION	.00 ±.01			
	ROUNDNESS	.000 ±.005			
	CIRCULAR RUN OUT	.0000 ±.0005			
	TOTAL RUN OUT	FINISH			
	CYLINDRICITY				
	FINISH				

**HAYES**  
MANUFACTURING INC. ®

TITLE <b>KUBOTA O5 TIER 4 FLYWHEEL COUPLING</b>		DRAWN BY SIETING		DATE 07-15-2013	DRAWING NO. <b>953101</b>
MATERIAL		CHECKED BY RJH		SCALE	SHEET OF REV. 
CLASS <b>KB05T4</b>	MAKE: <input checked="" type="checkbox"/> BUY: <input type="checkbox"/>	DESCRIPTION <b>15T16/32,B22,50</b>			