

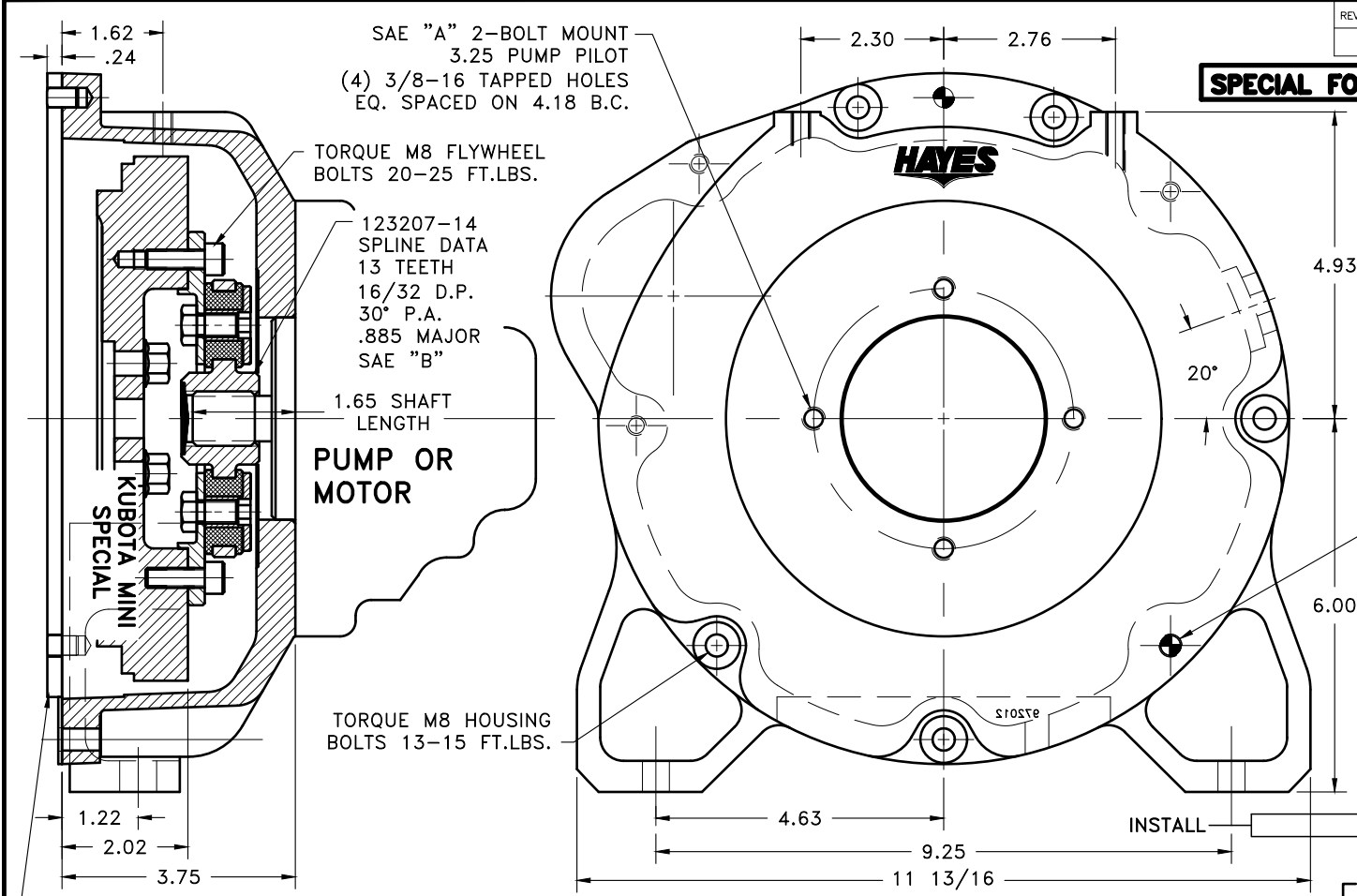
REV	DATE	CHANGE DESCRIPTION	MOD.BY	CK1	CK2

SPECIAL FOR DF972 - WG972

NOTES:

- HOUSING FOR KUBOTA ENGINES DF972 - WG972
- USE FURNISHED COUPLING GREASE ON BOTH MALE AND FEMALE SPLINE.

LOC-TITE DOWEL BUSHING ON PINS AT ASSEMBLY



SAE "A" 2-BOLT MOUNT
3.25 PUMP PILOT
(4) 3/8-16 TAPPED HOLES
EQ. SPACED ON 4.18 B.C.

TORQUE M8 FLYWHEEL BOLTS 20-25 FT.LBS.

123207-14
SPLINE DATA
13 TEETH
16/32 D.P.
30° P.A.
.885 MAJOR
SAE "B"

1.65 SHAFT LENGTH
PUMP OR MOTOR

TORQUE M8 HOUSING BOLTS 13-15 FT.LBS.

KUBOTA STARTER PLATE
#EG561-04620

COUPLING ASS'Y #127582

QTY.	DESCRIPTION	PART NUMBER	DET.
1	FLYWHEEL PLATE	127581	1
1	COUPLING HUB	123207-14	2
3	NEOPRENE INSERT	H52500	3
3	THREADED BUSHING	123729-01	4
3	BOLT	5/16-24x5/8 HHB Y D	5
1	HUBBARD PLUG	HP-1125-S-32	6
1	GREASE	801912	7
1	HOUSING	930114-10	8
2	SD2000x5/16x1/2 DOWEL PIN	DOWEL	9
1	HOLLOW DOWEL BUSHING	127695	10
1	BOLT KIT (PRE-ASSEMBLED)	972005	11

SYMBOLS		DET.	PART NUMBER	DESCRIPTION	QTY.
—	FLATNESS	DO NOT SCALE			
—	STRAIGHTNESS	DRAWING			
—	ANGULARITY	TOLERANCES UNLESS OTHERWISE SPECIFIED			
—	PERPENDICULARITY	1/32			
—	PARALLELISM	MAXIMUM			
—	CONCENTRICITY	ANGLE ±1/2°			
—	TRUE POSITION	FRACTION ±1/32			
—	ROUNDNESS	DECIMAL			
—	CIRCULAR RUN OUT	.00 ±.01			
—	TOTAL RUN OUT	.000 ±.005			
—	CYLINDRICITY	.0000 ±.0005			
—	FINISH				

HAYES
MANUFACTURING INC. ®

TITLE
KUBOTA MINI SERIES HOUSING & FLYWHEEL COUPLING ASSY

MATERIAL

CLASS	MAKE: <input type="checkbox"/> BUY: <input type="checkbox"/>	DRAWN BY	DATE	DRAWING NO.
DESCRIPTION		SIETING	12-23-04	972044
		CHECKED BY	SCALE	SHEET OF REV.
		RJH		

THIS DRAWING IS THE PROPERTY OF HAYES MFG. INC. AND IS LOANED SUBJECT TO THE CONDITION THAT IT SHALL NOT BE REPRODUCED, COPIED, LOANED OR OTHERWISE DISPOSED OF, DIRECTLY OR INDIRECTLY. IT SHALL BE USED AS A MEANS OF REFERENCE TO WORK FURNISHED BY THIS COMPANY ONLY AND IS NOT TO BE SUBMITTED TO OUTSIDE PARTIES FOR EXAMINATION WITHOUT OUR CONSENT.