

REV	DATE	CHANGE DESCRIPTION	MOD.BY	CK1	CK2

KUBOTA HOUSING  
P/N:1C010-04611

KUBOTA FLYWHEEL  
P/N:1C010-25111

978025

S.A.E. SEMI-4 HOUSING MOUNT 27/64 DRILL THRU  
12 HOLES EQUALLY SPACED ON 15.00 B.C.  
4" PUMP PILOT S.A.E. "B" PUMP MOUNT.  
(2) 1/2-13 TAPPED HOLES EQUALLY  
SPACED ON 5.750 B.C.

124243-87  
12.374 O.D.

(8) .406 HOLES  
ON 11.625 B.C.

PUMP  
OR  
MOTOR

1.65 PUMP SHAFT

126937  
SPLINE DATA  
13 TEETH  
16/32 D.P.  
30° P.A.  
.885 MAJOR  
SAE "B"

.591  
BACKSET

SEMI SAE#4

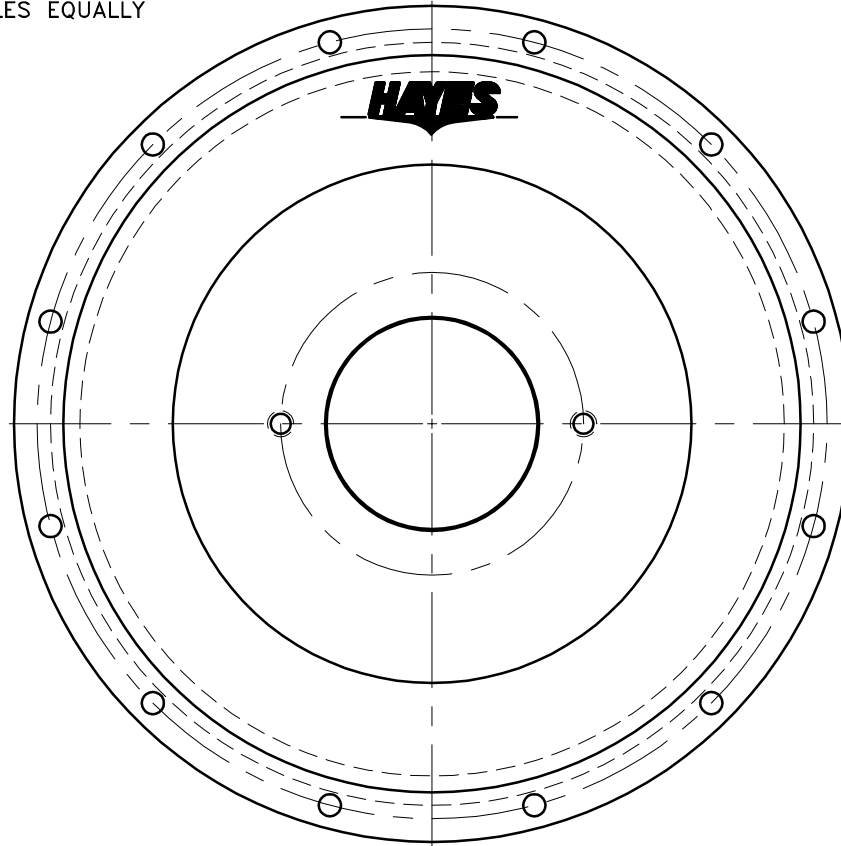
3.110

4.229

NOTE: TORQUE ALL M10 BOLTS 29-33 FT.LBS.

**NOTES:**

- HOUSING WILL FIT THE KUBOTA V3300-TE-2 OR ANY KUBOTA USING THE FLYWHEEL AND FLYWHEEL HOUSING LISTED ON THIS DRAWING.
- USE FURNISHED TEXACO 1912 COUPLING GREASE ON BOTH MALE AND FEMALE SPLINE.



COUPLING ASS'Y  
#126938

UP TO 110 HP

DET.	PART NUMBER	DESCRIPTION	QTY.
12	978025	SEMI SAE#4 HOUSING	1
11	978026	BOLT KIT	1
8	801912	GREASE	1
7	HP-1125-S-32	HUBBARD PLUG	1
7	HX200	7/16-20 x 1" HHB	8
5	123727	THREADED BUSHING	8
4	H62500	NEOPRENE INSERT	8
2	126937	COUPLING HUB	1
1	124243-87	FLYWHEEL PLATE	1

SYMBOLS	DET.	PART NUMBER	DESCRIPTION	QTY.
▭ FLATNESS — STRAIGHTNESS ∠ ANGULARITY ⊥ SQUARENESS // PARALLELISM ⊙ CONCENTRICITY ⊕ TRUE POSITION ○ ROUNDNESS ⊖ CIRCULAR RUN OUT ⊕ TOTAL RUN OUT ⊘ CYLINDRICITY ✓ FINISH	DO NOT SCALE DRAWING TOLERANCES UNLESS OTHERWISE SPECIFIED 1/32" MAXIMUM ANGLE ±1/2° FRACTION ±1/32 DECIMAL .00 ±.01 .000 ±.005 .0000 ±.0005	REMOVE FIRST THREAD ON ALL TAPPED HOLES BREAK ALL SHARP CORNERS .010 TO .020 STAMP OR MARK DRAWING NO.		TITLE <b>KUBOTA V3300/3307 SHORT ASSY</b> MATERIAL
- UNLESS OTHERWISE SPECIFIED - DRAWN BY SIETING CHECKED BY RJH	DATE 10-01-02 SCALE	DRAWING NO. <b>978031</b> SHEET OF REV.	DRAWING NO. <b>978031</b> SHEET OF REV.	SHEET OF REV.

THIS DRAWING IS THE PROPERTY OF HAYES MFG. INC. AND IS LOANED SUBJECT TO THE CONDITION THAT IT SHALL NOT BE REPRODUCED, COPIED, LOANED OR OTHERWISE DISPOSED OF, DIRECTLY OR INDIRECTLY. IT SHALL BE USED AS A MEANS OF REFERENCE TO WORK FURNISHED BY THIS COMPANY ONLY AND IS NOT TO BE SUBMITTED TO OUTSIDE PARTIES FOR EXAMINATION WITHOUT OUR CONSENT.