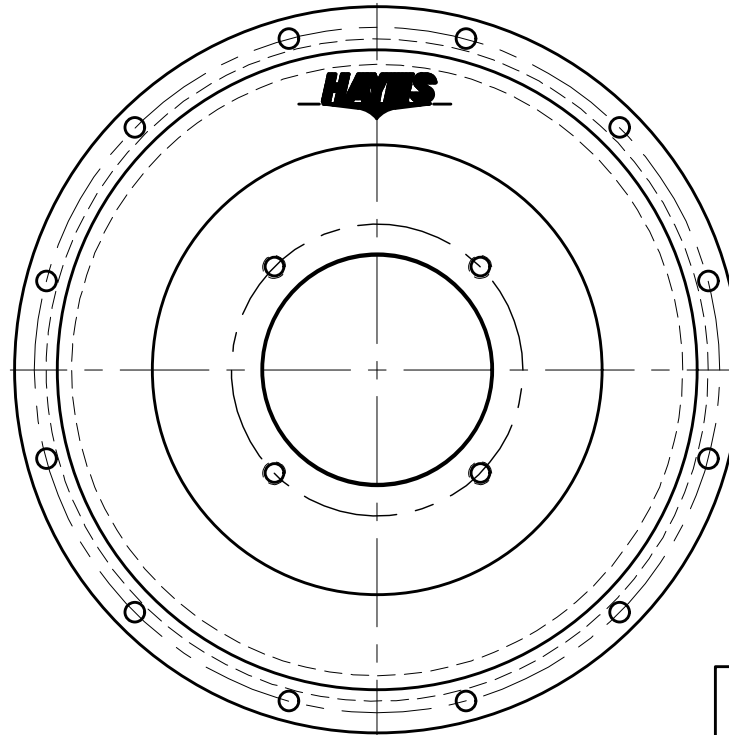
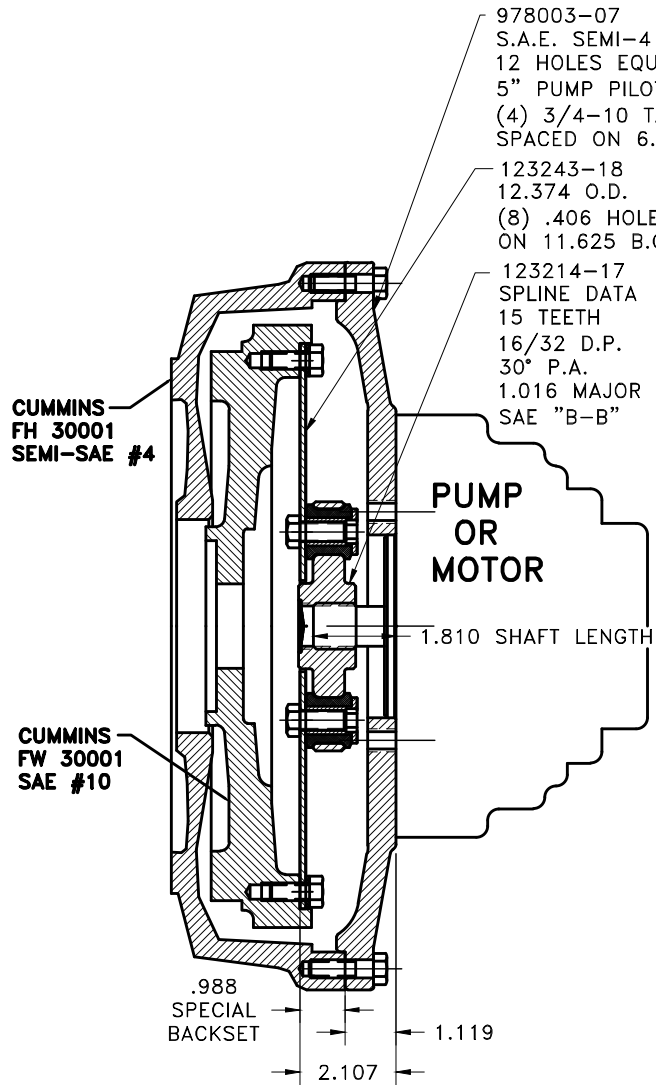


REV	DATE	CHANGE DESCRIPTION	MOD.BY	CK1	CK2
A1	11/07/2006	FIXED GREASE PLUG P/N	ZS	RJH	HM



COUPLING ASS'Y #125208

UP TO 110 HP

9	977535	BOLT KIT	1
8	978003-07	SAE 4 HOUSING	1
7	801912	GREASE	1
6	HP-1125-S-32	HUBBARD PLUG	1
5	BOLT	7/16-20 x 1 HHB	6
4	123727	THREADED BUSHING	6
3	H62500	NEOPRENE INSERT	6
2	123214-17	COUPLING HUB	1
1	123243-18	FLYWHEEL PLATE	1

SYMBOLS		DET.	PART NUMBER	DESCRIPTION	QTY.
	FLATNESS	DO NOT SCALE			
	STRAIGHTNESS	DRAWING			
	ANGULARITY	TOLERANCES UNLESS OTHERWISE SPECIFIED			
	PERPENDICULARITY				
	PARALLELISM				
	CONCENTRICITY				
	TRUE POSITION				
	ROUNDNESS	ANGLE ±1/2°			
	CIRCULAR RUN OUT	FRACTION ±1/32			
	TOTAL RUN OUT	DECIMAL			
	CYLINDRICITY	.00 ±.01			
	FINISH	.000 ±.005			
		.0000 ±.0005			

TITLE <b>CUMMINS 3.3 LITRE HOUSING &amp; FLYWHEEL COUPLING ASS'Y</b>			
MATERIAL			
CLASS	MAKE: <input type="checkbox"/> BUY: <input type="checkbox"/>	DRAWN BY LAWSON	DATE 10-30-06
DESCRIPTION	CHECKED BY RJH	SCALE	DRAWING NO. <b>978105</b>
			SHEET OF REV. 978105

**NOTE: TORQUE ALL M10 BOLTS 29-33 FT.LBS.  
CUMMINS 3.3 LITRE  
SEMI SAE #4 HOUSING & SAE #10 FLYWHEEL**

THIS DRAWING IS THE PROPERTY OF HAYES MFG. INC. AND IS LOANED SUBJECT TO THE CONDITION THAT IT SHALL NOT BE REPRODUCED, COPIED, LOANED OR OTHERWISE DISPOSED OF, DIRECTLY OR INDIRECTLY. IT SHALL BE USED AS A MEANS OF REFERENCE TO WORK FURNISHED BY THIS COMPANY ONLY AND IS NOT TO BE SUBMITTED TO OUTSIDE PARTIES FOR EXAMINATION WITHOUT OUR CONSENT.