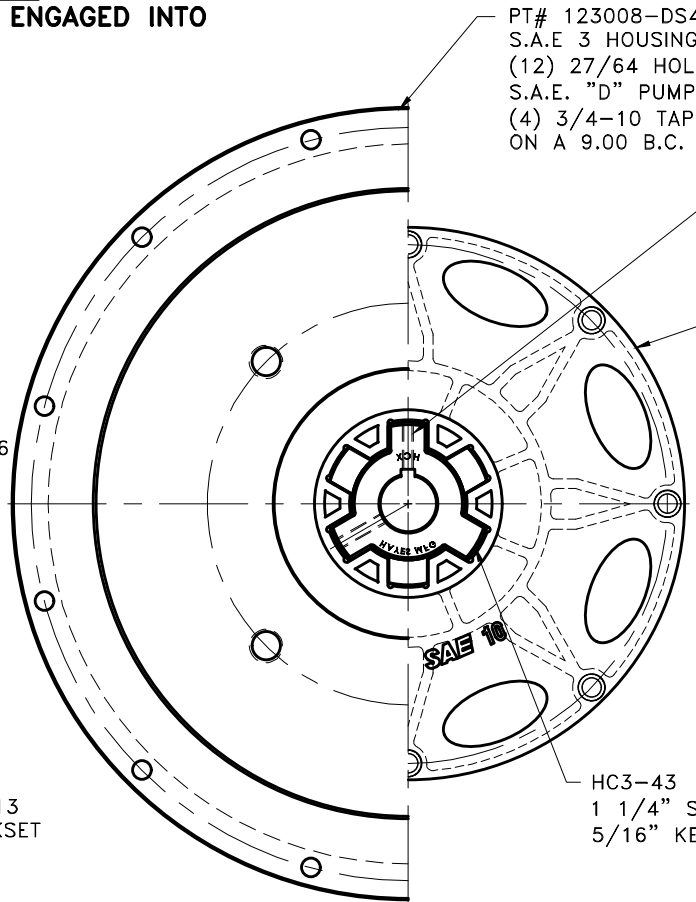
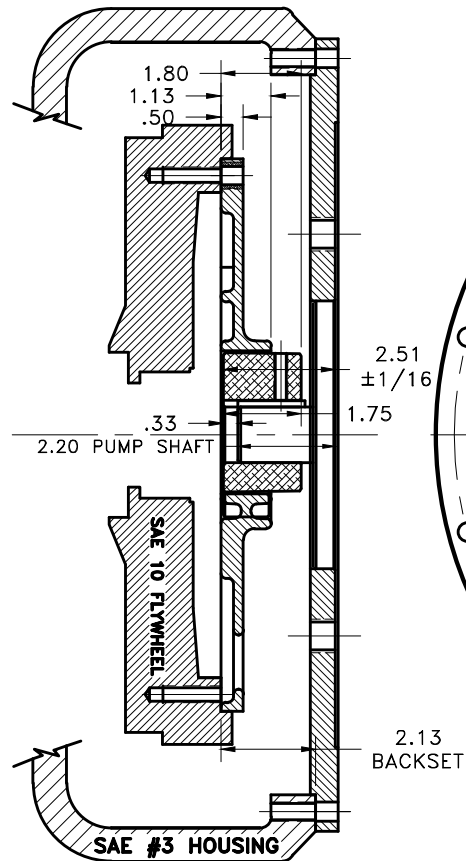


**HAYES HEX~FLX ASSEMBLY NOTE:**  
**METAL HUB SHOULD BE FULLY ENGAGED INTO**  
**NYLON DRIVE PLATE.**



PT# 123008-DS4  
 S.A.E 3 HOUSING MOUNT, 16.13 PILOT  
 (12) 27/64 HOLES ON A 16.88 B.C.  
 S.A.E. "D" PUMP MOUNT, 6.00 PILOT  
 (4) 3/4-10 TAPPED HOLES  
 ON A 9.00 B.C.

**(2) 3/8" SET SCREWS**  
**TORQUE BOTH TO 20 FT. LBS**  
**USING TORQUE WRENCH AT**  
**FINAL INSTALLATION**

C-010  
 S.A.E. 10 FIBERGLASS REINFORCED  
 NYLON DRIVE PLATE  
 (8) .416 HOLES EQ.  
 SPACED ON A 11.625 B.C.  
 "C" SERIES DRIVE

**IMPORTANT INSTALLATION NOTE!!!!**  
**IMPROPER INSTALLATION OF HUB COULD CAUSE**  
**PREMATURE WEAR AND OR FAILURE.**

**IF YOU HAVE QUESTIONS CONCERNING LOCATION**  
**OF METAL HUB ON PUMP SHAFT PLEASE CONTACT**  
**DISTRIBUTOR OR FACTORY FOR FURTHER**  
**INFORMATION**

**BOTH HUB SET SCREWS MUST BE PROPERLY**  
**TORQUED TO 25 FT.LBS. USING TORQUE WRENCH.**  
**PLEASE CONTACT DISTRIBUTOR OR FACTORY FOR**  
**ANY FURTHER QUESTIONS.**

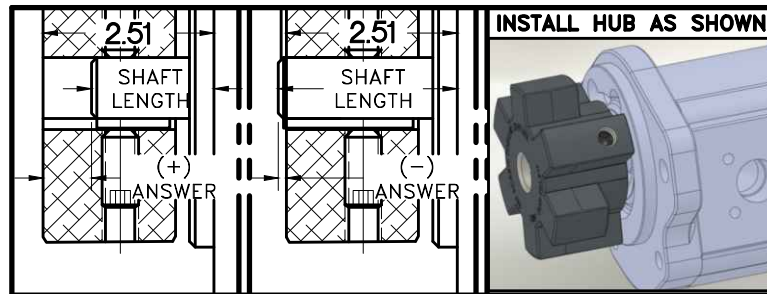
**NOTE: REMOVE HUB FROM ASSY, PRESET HUB ON SHAFT**  
**AS SHOWN. TORQUE BOTH SET SCREWS TO 25 FT.LBS.**  
**USING TORQUE WRENCH. SHAFT SHOULD HAVE A**  
**MINIMUM OF 3/4" OF ENGAGEMENT IF NOT CONTACT**  
**FACTORY FOR RECOMMENDATIONS (231) 879-3372 TO**  
**GET HUB PRESET USE THIS EQUATION:**

**PERFORM CALCULATION BELOW:**

**2.51 - SHAFT LENGTH = HUB PRESET**

**IF YOUR ANSWER IS (+) SHAFT IS INSIDE OF HUB, IF**  
**YOUR ANSWER IS (-) SHAFT STICKS OUT OF HUB.**  
**(SEE BOXES)**

**NOTE: THIS STEP IS IMPORTANT TO**  
**ENSURE FULL SHAFT ENGAGEMENT.**



**"C" SERIES TORQUE RANGE**  
**65-175 HP**

3	123008-DS4	PUMP MOUNT PLTE	1
2	HC3-43	C SERIES HEX~FLX HUB	1
1	C-010	SAE 10 HEX~FLX DRIVE PLATE	1

SYMBOLS		DET.	PART NUMBER	DESCRIPTION	QTY.
	FLATNESS	DO NOT SCALE			
	STRAIGHTNESS	DRAWING			
	ANGULARITY	TOLERANCES UNLESS			
	PERPENDICULARITY	OTHERWISE SPECIFIED			
	PARALLELISM	12X			
	CONCENTRICITY	MAXIMUM			
	TRUE POSITION	ANGLE ±1/2°			
	ROUNDNESS	FRACTION ±1/32			
	CIRCULAR RUN OUT	DECIMAL			
	TOTAL RUN OUT	.00 ±.01			
	CYLINDRICITY	.000 ±.005			
	FINISH	.0000 ±.0005			
CLASS	SAE 10	MAKE: <input checked="" type="checkbox"/> BUY: <input type="checkbox"/>	DRAWN BY	DATE	DRAWING NO.
DESCRIPTION	10,3,1-1/4x5/16,D4		SIETING	05-19-2015	C-010-HC3-43-DS4
			CHECKED BY	SCALE	SHEET OF REV.



**HEX-FLX PUMP DRIVE KIT**

THIS DRAWING IS THE PROPERTY OF HAYES MFG. INC. AND IS LOANED SUBJECT TO THE CONDITION THAT IT SHALL NOT BE REPRODUCED, COPIED, LOANED OR OTHERWISE DISPOSED OF, DIRECTLY OR INDIRECTLY. IT SHALL BE USED AS A MEANS OF REFERENCE TO WORK FURNISHED BY THIS COMPANY ONLY AND IS NOT TO BE SUBMITTED TO OUTSIDE PARTIES FOR EXAMINATION WITHOUT OUR CONSENT.