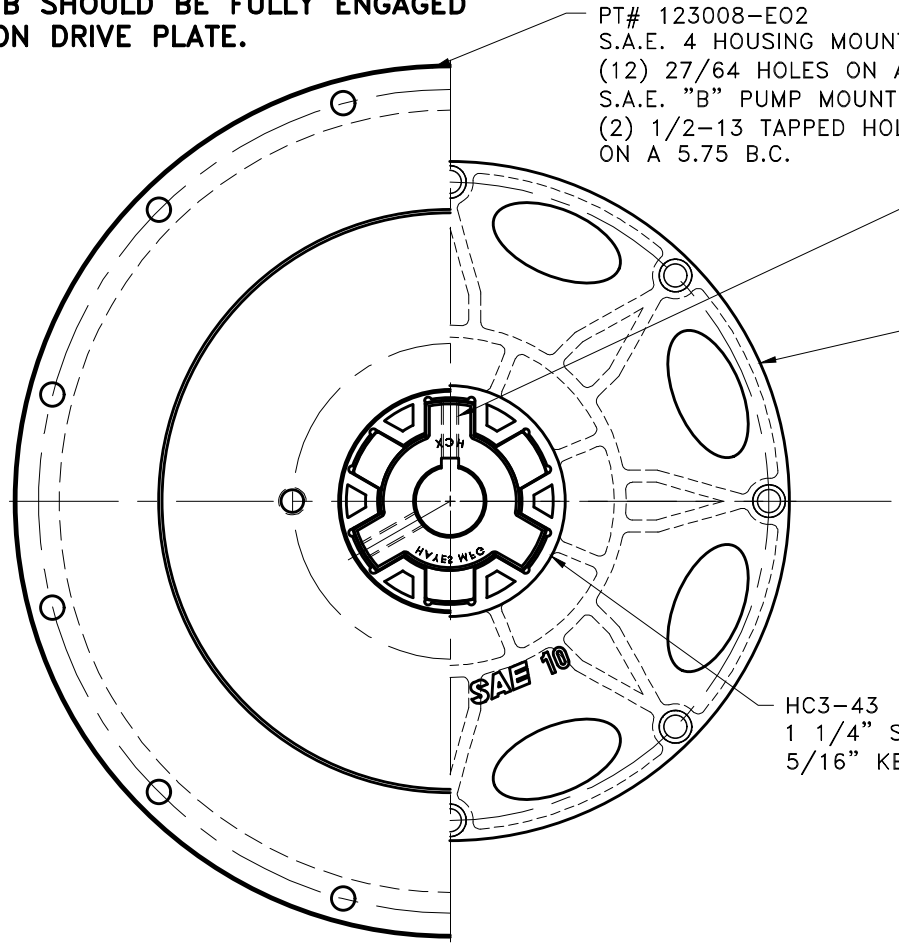
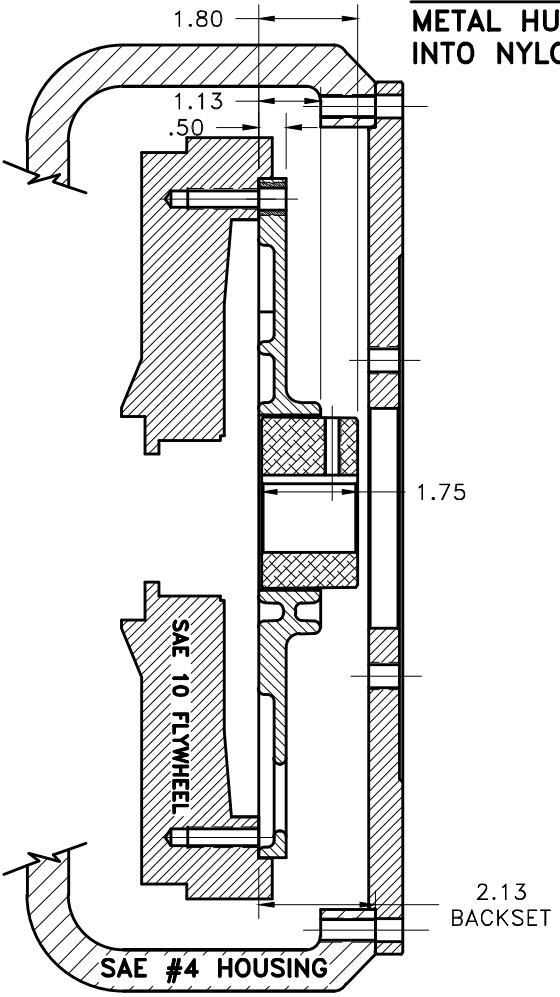


REV	DATE	CHANGE DESCRIPTION	MOD.BY	CK1	CK2

HAYES HEX~FLX ASSEMBLY NOTE:
METAL HUB SHOULD BE FULLY ENGAGED INTO NYLON DRIVE PLATE.



PT# 123008-E02
 S.A.E. 4 HOUSING MOUNT, 14.25 PILOT
 (12) 27/64 HOLES ON A 15.00 B.C.
 S.A.E. "B" PUMP MOUNT, 4.00 PUMP PILOT
 (2) 1/2-13 TAPPED HOLES ON A 5.75 B.C.

(2) 3/8" SET SCREWS TORQUE BOTH TO 25 FT. LBS USING TORQUE WRENCH AT FINAL INSTALLATION

C-010
 S.A.E. 10 FIBERGLASS REINFORCED NYLON DRIVE PLATE
 (8) .416 HOLES EQ. SPACED ON A 11.625 B.C.
 "C" SERIES DRIVE

IMPORTANT INSTALLATION NOTE!!!!
IMPROPER INSTALLATION OF HUB COULD CAUSE PREMATURE WEAR AND OR FAILURE.

IF YOU HAVE QUESTIONS CONCERNING LOCATION OF METAL HUB ON PUMP SHAFT PLEASE CONTACT DISTRIBUTOR OR FACTORY FOR FURTHER INFORMATION

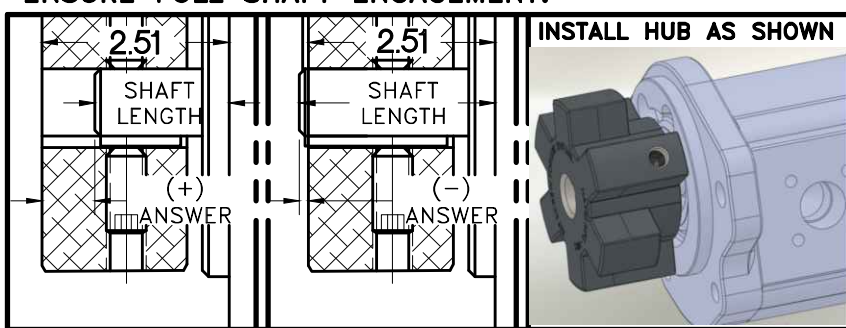
BOTH HUB SET SCREWS MUST BE PROPERLY TORQUED TO 25 FT.LBS. USING TORQUE WRENCH. PLEASE CONTACT DISTRIBUTOR OR FACTORY FOR ANY FURTHER QUESTIONS.

NOTE: REMOVE HUB FROM ASS'Y, PRESET HUB ON SHAFT AS SHOWN. TORQUE BOTH SET SCREWS TO 25 FT.LBS. USING TORQUE WRENCH. SHAFT SHOULD HAVE A MINIMUM OF 3/4" OF ENGAGEMENT IF NOT CONTACT FACTORY FOR RECOMMENDATIONS (231) 879-3372 TO GET HUB PRESET USE THIS EQUATION:

PERFORM CALCULATION BELOW:
2.51 - SHAFT LENGTH = HUB PRESET

IF YOUR ANSWER IS (+) SHAFT IS INSIDE OF HUB, IF YOUR ANSWER IS (-) SHAFT STICKS OUT OF HUB. (SEE BOXES)

NOTE: THIS STEP IS IMPORTANT TO ENSURE FULL SHAFT ENGAGEMENT.



"C" SERIES TORQUE RANGE 65-175 HP

QTY.	DESCRIPTION	PART NUMBER	DET.
1	PUMP MOUNT PLTE	123008-E02	3
1	C SERIES HEX~FLX HUB	HC3-43	2
1	SAE 10 HEX~FLX DRIVE PLATE	C-010	1

SYMBOLS		DET.	PART NUMBER	DESCRIPTION	QTY.
—	FLATNESS	DO NOT SCALE DRAWING			
—	STRAIGHTNESS	TOLERANCES UNLESS OTHERWISE SPECIFIED			
—	ANGULARITY	ANGLE ±1/2'			
—	PERPENDICULARITY	FRACTION ±1/32			
—	PARALLELISM	DECIMAL			
—	CONCENTRICITY	.00 ±.01			
—	TRUE POSITION	.0000 ±.0005			
—	ROUNDNESS				
—	CIRCULAR RUN OUT				
—	TOTAL RUN OUT				
—	CYLINDRICITY				
—	FINISH				
CLASS		DRAWN BY		DATE	
SAE 10		BSL		04-26-2016	
DESCRIPTION		CHECKED BY		SCALE	
10,4,1-1/4x5/16,B2					
HAYES MANUFACTURING INC. ®					
TITLE HEX~FLX "C" SERIES 2 PIECE COUPLING					
MATERIAL					
DRAWING NO.		SHEET		OF	
C-010-HC3-43-E02				REV.	

THIS DRAWING IS THE PROPERTY OF HAYES MFG. INC. AND IS LOANED SUBJECT TO THE CONDITION THAT IT SHALL NOT BE REPRODUCED, COPIED, LOANED OR OTHERWISE DISPOSED OF, DIRECTLY OR INDIRECTLY. IT SHALL BE USED AS A MEANS OF REFERENCE TO WORK FURNISHED BY THIS COMPANY ONLY AND IS NOT TO BE SUBMITTED TO OUTSIDE PARTIES FOR EXAMINATION WITHOUT OUR CONSENT.