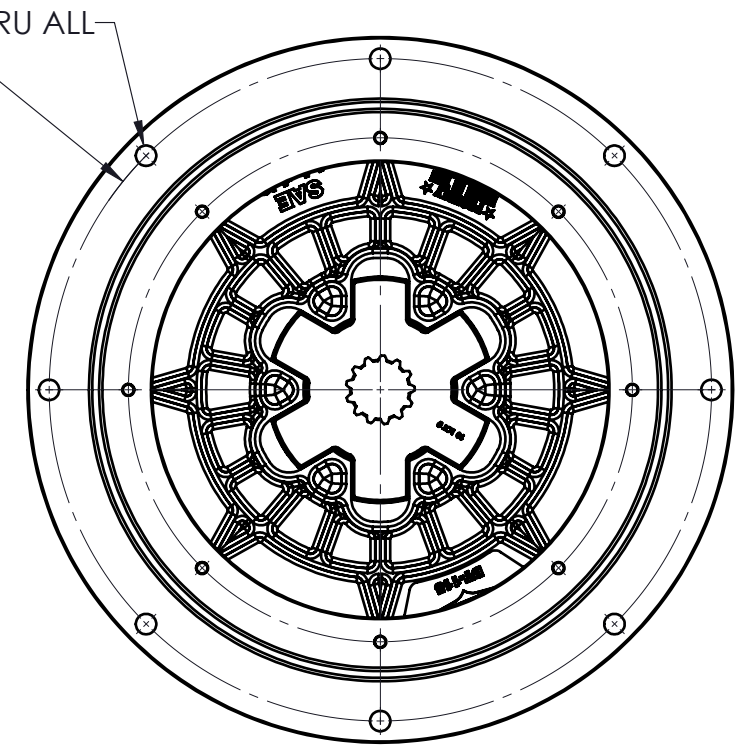
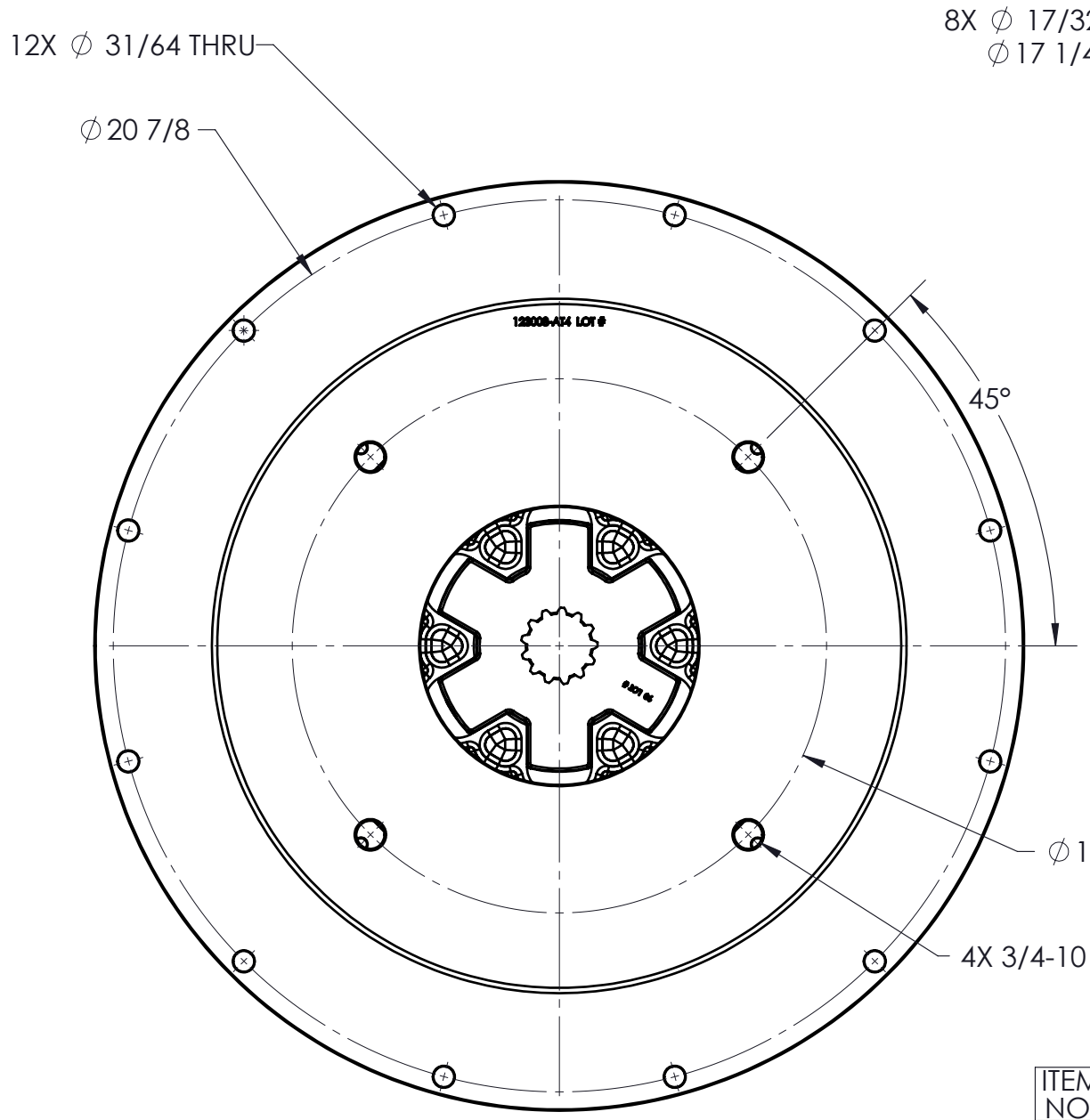
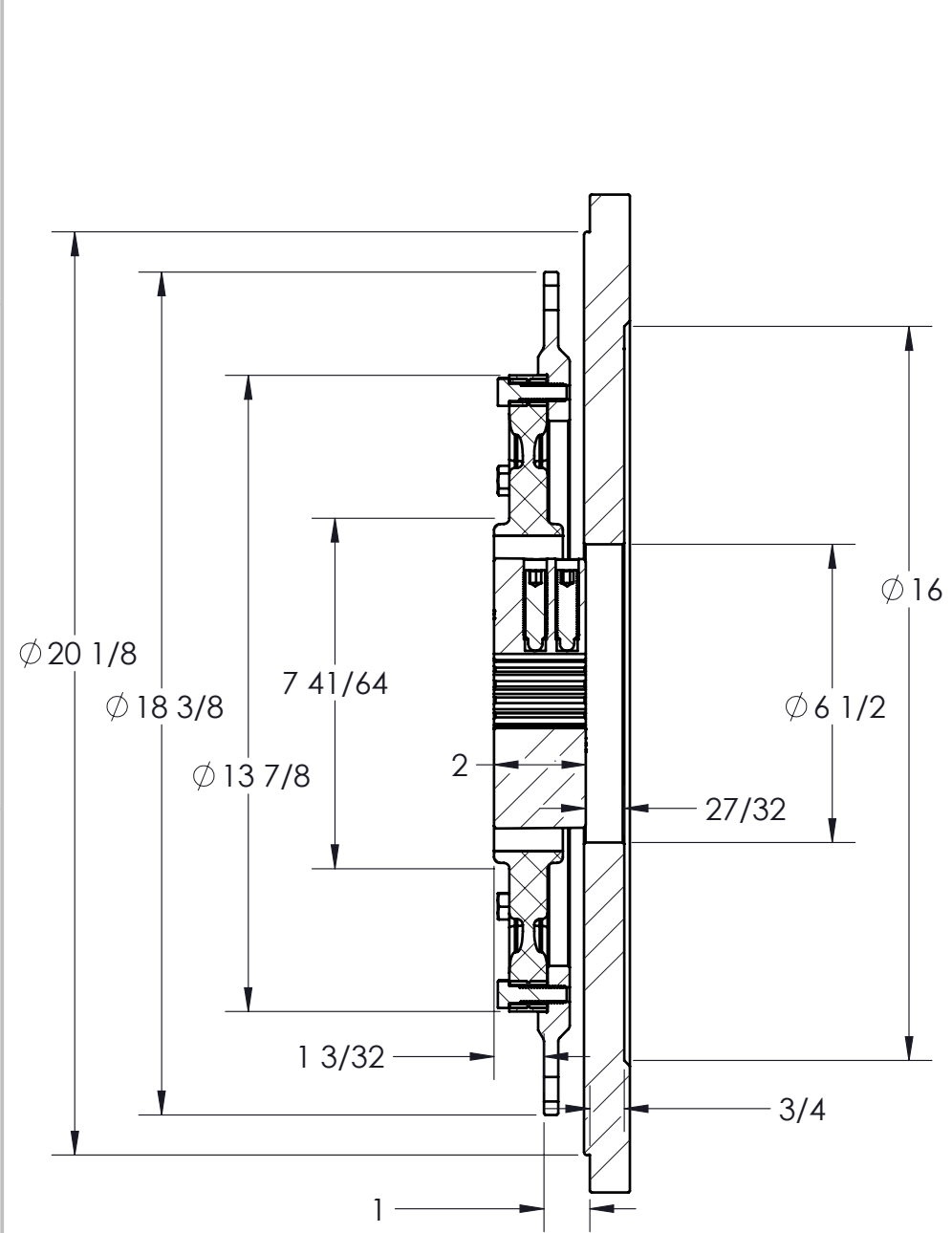


CUSTOMER DRAWING

REVISIONS				
ZONE	REV.	DESCRIPTION	DATE	APR 1 APR 2



PUMP DRIVE SPECS	
FLYWHEEL	SAE 14
HOUSING	SAE 1
PUMP FLANGE	SAE E 4-BOLT
PUMP SHAFT	13T 8/16 "D-E"
HP RATING (@1800 RPM)	3300 FT.LBS (MAX)

ITEM NO.	PART NUMBER	DESCRIPTION	QTY.
1	DT-014	SAE 14 HEX-FLX DRIVE PLATE	1
2	HDT2-90	HEX-FLX HUB	1
3	123008-AT4	PUMP MOUNT PLATE	1

UNLESS OTHERWISE SPECIFIED:		DIMENSIONS ARE IN INCHES	
CLASS	SAE 14	DESCRIPTION	14,1,13T8/16,E4
MAKE	X	WEIGHT	117.1 LB
BUY		VOLUME	CU.IN.
HEAT TREAT		FINISH	

NAME	DATE
DRAWN: SIETING	2/8/2023
PCM APPR.	
ENG APPR.	
SHIP. APPR.	
QA APPR.	
MATERIAL	

HAYES

TITLE: HEX-FLX PUMP DRIVE KIT

DWG. NO. DT-014-HDT2-90-AT4

REV

DO NOT SCALE SHEET 1 OF 4

PROPRIETARY AND CONFIDENTIAL
THE INFORMATION CONTAINED IN THIS DRAWING IS THE SOLE PROPERTY OF HAYES MANUFACTURING. ANY REPRODUCTION IN PART OR AS A WHOLE WITHOUT THE WRITTEN PERMISSION OF HAYES MANUFACTURING IS PROHIBITED.