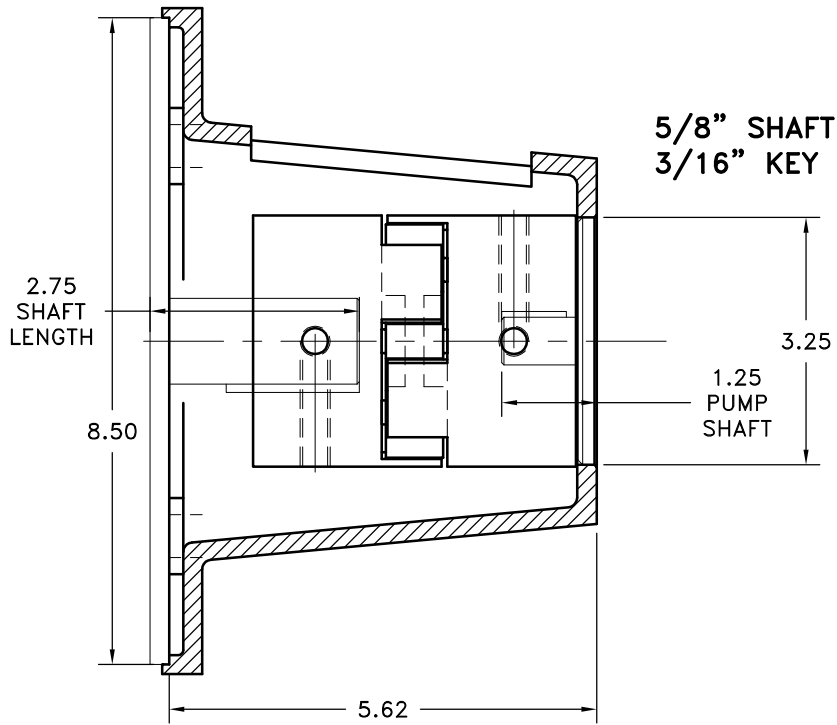
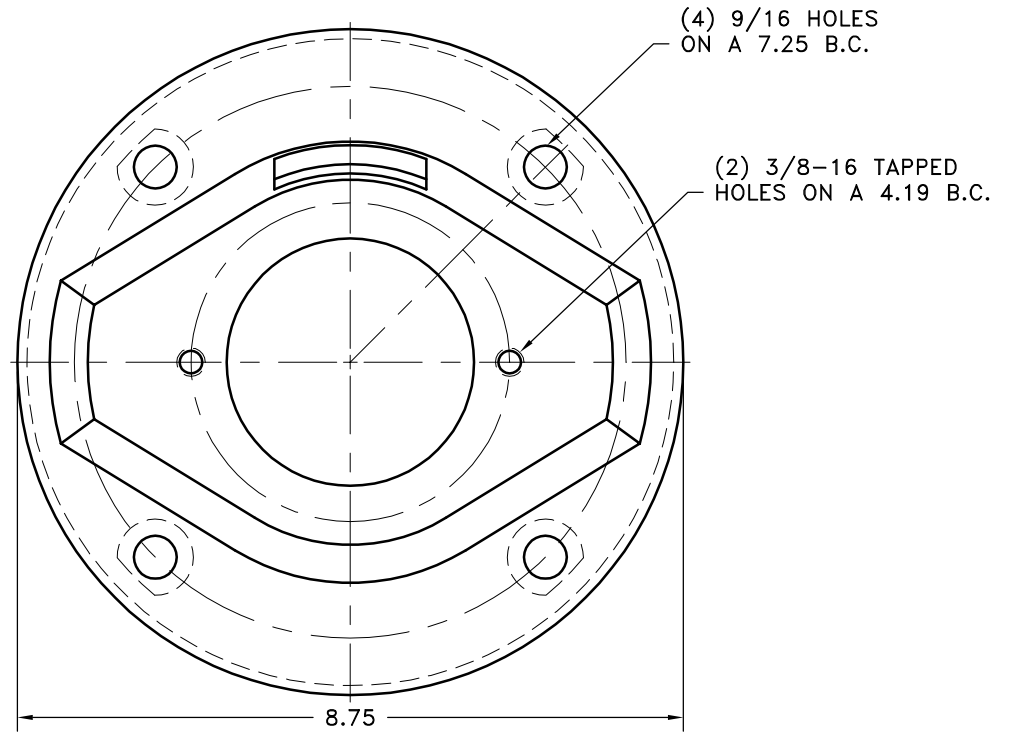


REV	DATE	CHANGE DESCRIPTION	MOD.BY	CK1	CK2



1 1/8" SHAFT
1/4" KEY



THIS DRAWING IS THE PROPERTY OF HAYES MFG. INC. AND IS LOANED SUBJECT TO THE CONDITION THAT IT SHALL NOT BE REPRODUCED, COPIED, LOANED OR OTHERWISE DISPOSED OF, DIRECTLY OR INDIRECTLY. IT SHALL BE USED AS A MEANS OF REFERENCE TO WORK FURNISHED BY THIS COMPANY ONLY AND IS NOT TO BE SUBMITTED TO OUTSIDE PARTIES FOR EXAMINATION WITHOUT OUR CONSENT.

DET.	PART NUMBER	DESCRIPTION	QTY.
4	E56-A2-5.62	ELECTRIC MOTOR HOUSING	1
3	L110U	L110 URETHANE INSERT	1
2	L110x5/8x3/16	L110 COUPLING HALF	1
1	L110x1-1/8x1/4	L110 COUPLING HALF	1

SYMBOLS		DET.	PART NUMBER	DESCRIPTION	QTY.
—	FLATNESS	DO NOT SCALE			
—	STRAIGHTNESS	DRAWING			
—	ANGULARITY	TOLERANCES UNLESS			
—	SQUARENESS	OTHERWISE SPECIFIED			
—	PARALLELISM	1/32" MAXIMUM			
—	CONCENTRICITY	ANGLE ±1/2°			
—	TRUE POSITION	FRACTION ±1/32			
—	ROUNDNESS	DECIMAL			
—	CIRCULAR RUN OUT	.00 ±.01			
—	TOTAL RUN OUT	.000 ±.005			
—	CYLINDRICITY	.000 ±.005			
—	FINISH	.0000 ±.0005			
- UNLESS OTHERWISE SPECIFIED - REMOVE FIRST THREAD ON ALL TAPPED HOLES BREAK ALL SHARP CORNERS .010 TO .020 STAMP OR MARK DRAWING NO.		DRAWN BY SIETING		DATE 05-01-08	DRAWING NO. E53-A2-L110-01
		CHECKED BY RJH		SCALE	SHEET OF REV. 1 OF 1

HAYES
MANUFACTURING INC. ®

TITLE
ELECTRIC MOTOR HOUSING AND COUPLING ASSY

MATERIAL