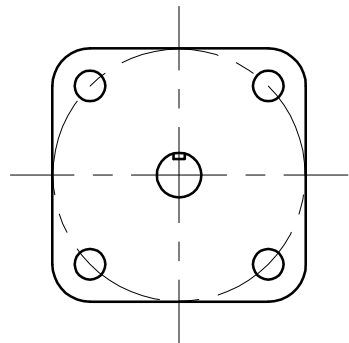
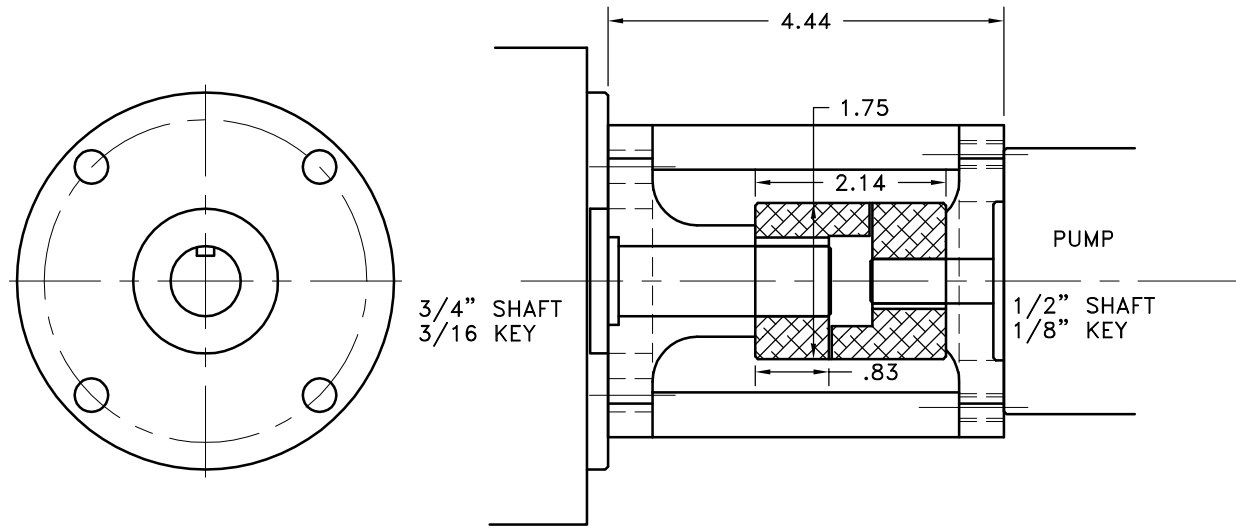


REV	DATE	CHANGE DESCRIPTION	MOD.BY	CK1	CK2
A	09/18/2008	ADDED ACCESS COVER.	ZS	RJH	HM



QTY.	PART NUMBER	DESCRIPTION
1	AC-10	ACCESS COVER
1	L075N	NEOPRENE INSERT
1	L075x1/2x1/8	L-SERIES COUPLING HALF
1	L075x3/4x3/16	L-SERIES COUPLING HALF
1	G10-102-4.44	PUMP MOTOR ADAPTER

SYMBOLS		DET.	PART NUMBER	DESCRIPTION	QTY.
	FLATNESS	DO NOT SCALE			
	STRAIGHTNESS	DRAWING			
	ANGULARITY	TOLERANCES UNLESS OTHERWISE SPECIFIED			
	SQUARENESS	ANGLE ±1/2°			
	PARALLELISM	FRACTION ±1/32			
	CONCENTRICITY	12/5 MAXIMUM			
	TRUE POSITION				
	ROUNDNESS				
	CIRCULAR RUN OUT				
	TOTAL RUN OUT	DECIMAL			
	CYLINDRICITY	.00 ±.01			
	FINISH	.000 ±.005			
		.0000 ±.0005			

HAYES
MANUFACTURING INC. ®

TITLE: PUMP ADAPTER W/COUPLING

MATERIAL:

- UNLESS OTHERWISE SPECIFIED - REMOVE FIRST THREAD ON ALL TAPPED HOLES BREAK ALL SHARP CORNERS .010 TO .020 STAMP OR MARK DRAWING NO.	DRAWN BY SIETING CHECKED BY RJH	DATE 08-28-08 SCALE	DRAWING NO. G10-102-L075-01 SHEET OF REV.
--	--	---------------------------	---

THIS DRAWING IS THE PROPERTY OF HAYES MFG. INC. AND IS LOANED SUBJECT TO THE CONDITION THAT IT SHALL NOT BE REPRODUCED, COPIED, LOANED OR OTHERWISE DISPOSED OF, DIRECTLY OR INDIRECTLY. IT SHALL BE USED AS A MEANS OF REFERENCE TO WORK FURNISHED BY THIS COMPANY ONLY AND IS NOT TO BE SUBMITTED TO OUTSIDE PARTIES FOR EXAMINATION WITHOUT OUR CONSENT.