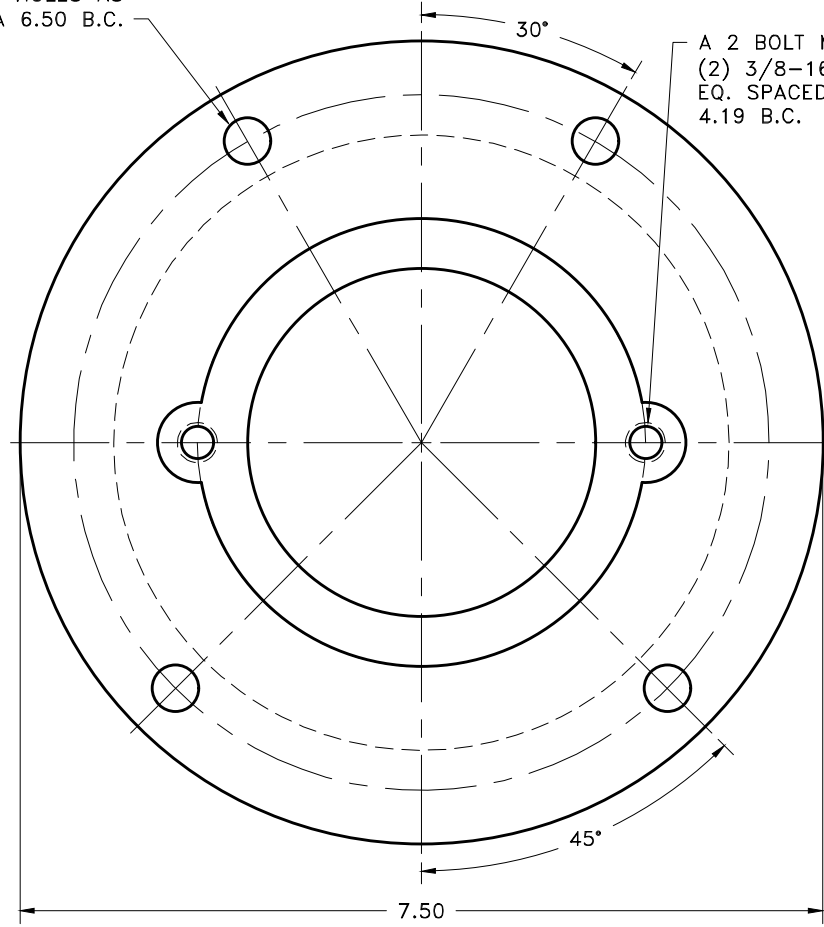
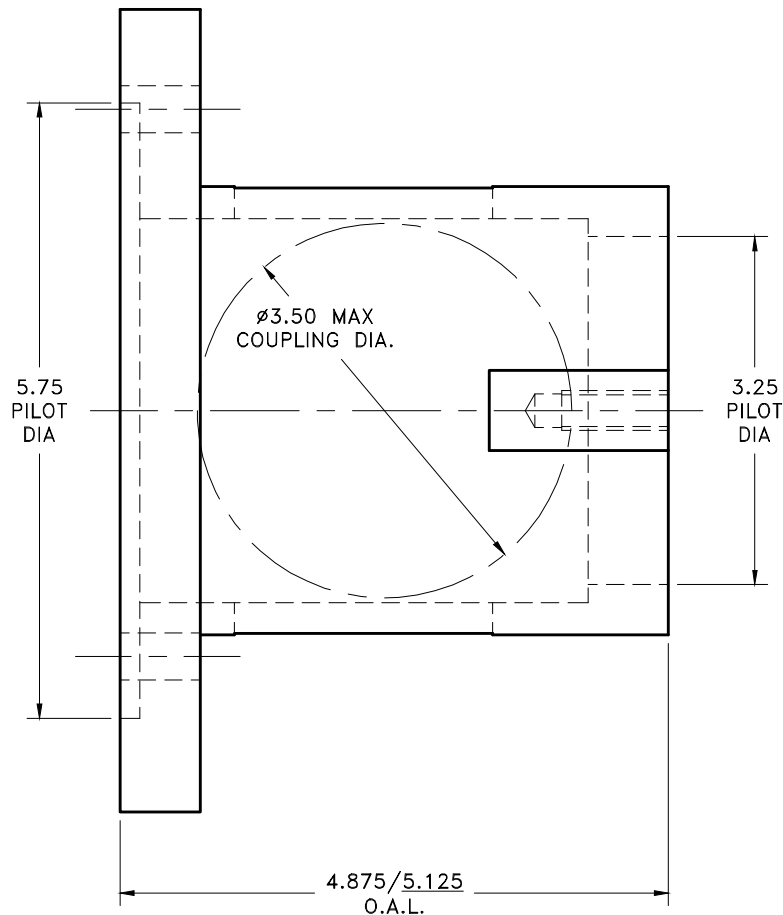


REV	DATE	CHANGE DESCRIPTION	MOD.BY	CK1	CK2

(4) 7/16 HOLES AS SHOWN ON A 6.50 B.C.

A 2 BOLT MOUNT
(2) 3/8-16 HOLES
EQ. SPACED ON A
4.19 B.C.



NOTE: UNDERLINED LENGTH DIM. IS STANDARD ANY LENGTH BETWEEN DIMENSIONS CAN BE REQUESTED.

**NOTES:
ACCESS COVERS #AC100 (2 REQUIRED)
APPROX. WEIGHT: 2 LB. 2 OZ.
AVAILABLE WITH NO COVER OPENINGS**

THIS DRAWING IS THE PROPERTY OF HAYES MFG. INC. AND IS LOANED SUBJECT TO THE CONDITION THAT IT SHALL NOT BE REPRODUCED, COPIED, LOANED OR OTHERWISE DISPOSED OF, DIRECTLY OR INDIRECTLY. IT SHALL BE USED AS A MEANS OF REFERENCE TO WORK FURNISHED BY THIS COMPANY ONLY AND IS NOT TO BE SUBMITTED TO OUTSIDE PARTIES FOR EXAMINATION WITHOUT OUR CONSENT.

SYMBOLS		DET.	PART NUMBER	DESCRIPTION	QTY.		
—	FLATNESS	DO NOT SCALE		HAYES MANUFACTURING INC. ®			
—	STRAIGHTNESS	DRAWING			TITLE	SMALL ENGINE HOUSING	
—	ANGULARITY	TOLERANCES UNLESS OTHERWISE SPECIFIED		MATERIAL	ALUMINUM		
—	PERPENDICULARITY	ANGLE ±1/2°		CLASS			
—	PARALLELISM	FRACTION ±1/32		MAKE: <input type="checkbox"/> BUY: <input type="checkbox"/>	DRAWN BY	DATE	DRAWING NO.
—	CONCENTRICITY	DECIMAL		SIETING	05-01-07		G-300-402-XXXX
—	TRUE POSITION	.00 ±.01		CHECKED BY	SCALE		SHEET OF REV.
—	ROUNDNESS	.0000 ±.0005		RJH			
—	CIRCULAR RUN OUT						
—	TOTAL RUN OUT						
—	CYLINDRICITY						
—	FINISH						