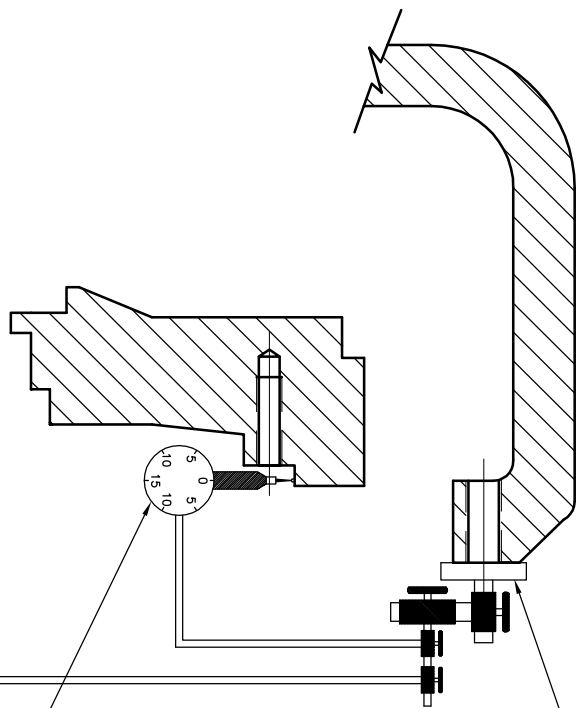
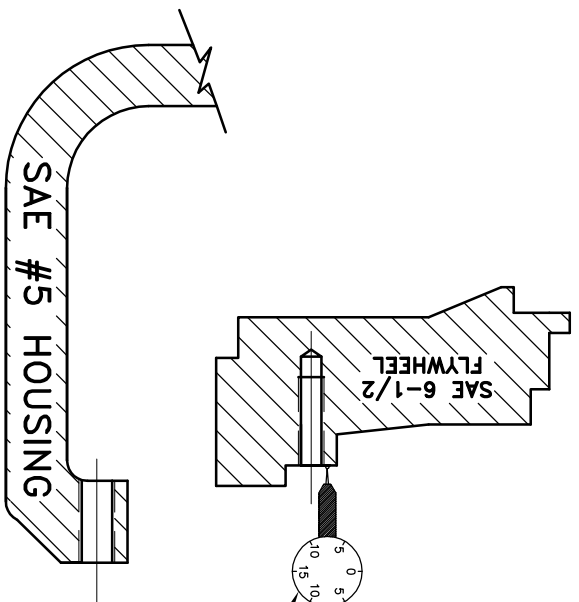


STANDARD MAGNETIC BASE INDICATOR
STAND CAN BE MOUNTED ON ANY
SUITABLE FLAT MACHINED FLYWHEEL
SURFACE

FLYWHEEL T.I.R. TEST SETUP



T.I.R. INDICATOR



T.I.R. INDICATOR

SAE #5 HOUSING

THIS DRAWING IS THE PROPERTY OF HAYES MFG. INC. AND IS LOANED
SUBJECT TO THE CONDITION THAT IT SHALL NOT BE REPRODUCED,
COPIED, OR TRANSMITTED IN ANY MANNER WITHOUT THE WRITTEN
CONSENT OF HAYES MFG. INC. IT SHALL BE USED AS A MEANS OF REFERENCE TO WORK FURNISHED BY
THIS COMPANY ONLY AND IS NOT TO BE SUBMITTED TO OUTSIDE PARTIES
FOR EXAMINATION WITHOUT OUR CONSENT.

NOTE:
WHEN USING A NON ADJUSTABLE MAGNETIC
BASE INDICATOR STAND YOU WILL WANT
TO REMOVE THE PUMP MOUNT PLATE AND COUPLING
TO MOUNT THE MAGNETIC BASE INDICATOR
ON THE FACE OF THE FLYWHEEL HOUSING.

1. REMOVE PUMP MOUNT PLATE
2. REMOVE COUPLING
3. PLACE MAGNETIC INDICATOR ON FLAT PORTION
OF FLYWHEEL HOUSING.
4. SET UP INDICATORS AS SHOWN (ONE
INDICATOR TEST AT A TIME IS PREFERRED).

	FLATNESS	DEF.	PART NUMBER	DESCRIPTION	QTY.
	ANGULARITY	DO NOT SCALE DRAWING			
	PARALLELISM	TOLERANCES UNLESS OTHERWISE SPECIFIED			
	PERPENDICULARITY	ANGLE 1/2			
	ROUNDNESS	FRACTION 1/32			
	TOTAL RUN OUT	.00 ±.01			
	CYLINDRICITY	.0000 ±.0005			
	FINISH	UNLESS OTHERWISE SPECIFIED -			
	REMOVE FIRST THREAD				
	BREAK ALL SHARP CORNERS	0.10 TO .020			
	STAMP OR MARK DRAWING NO.				
		DRAWN BY		DATE	DRAWING NO.
		LAWSON		8-24-00	INDICATOR 3
TITLE		CHECKED BY		SCALE	SHEET OF REV.
T.I.R. INDICATOR SETUP		MAGNETIC BASE INDICATOR			